

R	R1	R2	R3	R4	R5	R6	R7	R8	R9	R10	R11	R12	R13	R14	R15	R16	R17	R18	R19	R20	R21	R22	R23	R24	R25	R26	R27	R28	R29	R30	R31	R32	R33	R34	R35	R36	R37	R38	R39	R40	R41	R42	R43	R44	R45	R46	R47	R48	R49	R50	R51	R52	R53	R54	R55	R56	R57	R58	R59	R60	R61	R62	R63	R64	R65	R66	R67	R68	R69	R70	R71	R72	R73	R74	R75	R76	R77	R78	R79	R80	R81	R82	R83	R84	R85	R86	R87	R88	R89	R90	R91	R92	R93	R94	R95	R96	R97	R98	R99	R100
C	C1	C2	C3	C4	C5	C6	C7	C8	C9	C10	C11	C12	C13	C14	C15	C16	C17	C18	C19	C20	C21	C22	C23	C24	C25	C26	C27	C28	C29	C30	C31	C32	C33	C34	C35	C36	C37	C38	C39	C40	C41	C42	C43	C44	C45	C46	C47	C48	C49	C50	C51	C52	C53	C54	C55	C56	C57	C58	C59	C60	C61	C62	C63	C64	C65	C66	C67	C68	C69	C70	C71	C72	C73	C74	C75	C76	C77	C78	C79	C80	C81	C82	C83	C84	C85	C86	C87	C88	C89	C90	C91	C92	C93	C94	C95	C96	C97	C98	C99	C100
T	T1	T2	T3	T4	T5	T6	T7	T8	T9	T10	T11	T12	T13	T14	T15	T16	T17	T18	T19	T20	T21	T22	T23	T24	T25	T26	T27	T28	T29	T30	T31	T32	T33	T34	T35	T36	T37	T38	T39	T40	T41	T42	T43	T44	T45	T46	T47	T48	T49	T50	T51	T52	T53	T54	T55	T56	T57	T58	T59	T60	T61	T62	T63	T64	T65	T66	T67	T68	T69	T70	T71	T72	T73	T74	T75	T76	T77	T78	T79	T80	T81	T82	T83	T84	T85	T86	T87	T88	T89	T90	T91	T92	T93	T94	T95	T96	T97	T98	T99	T100

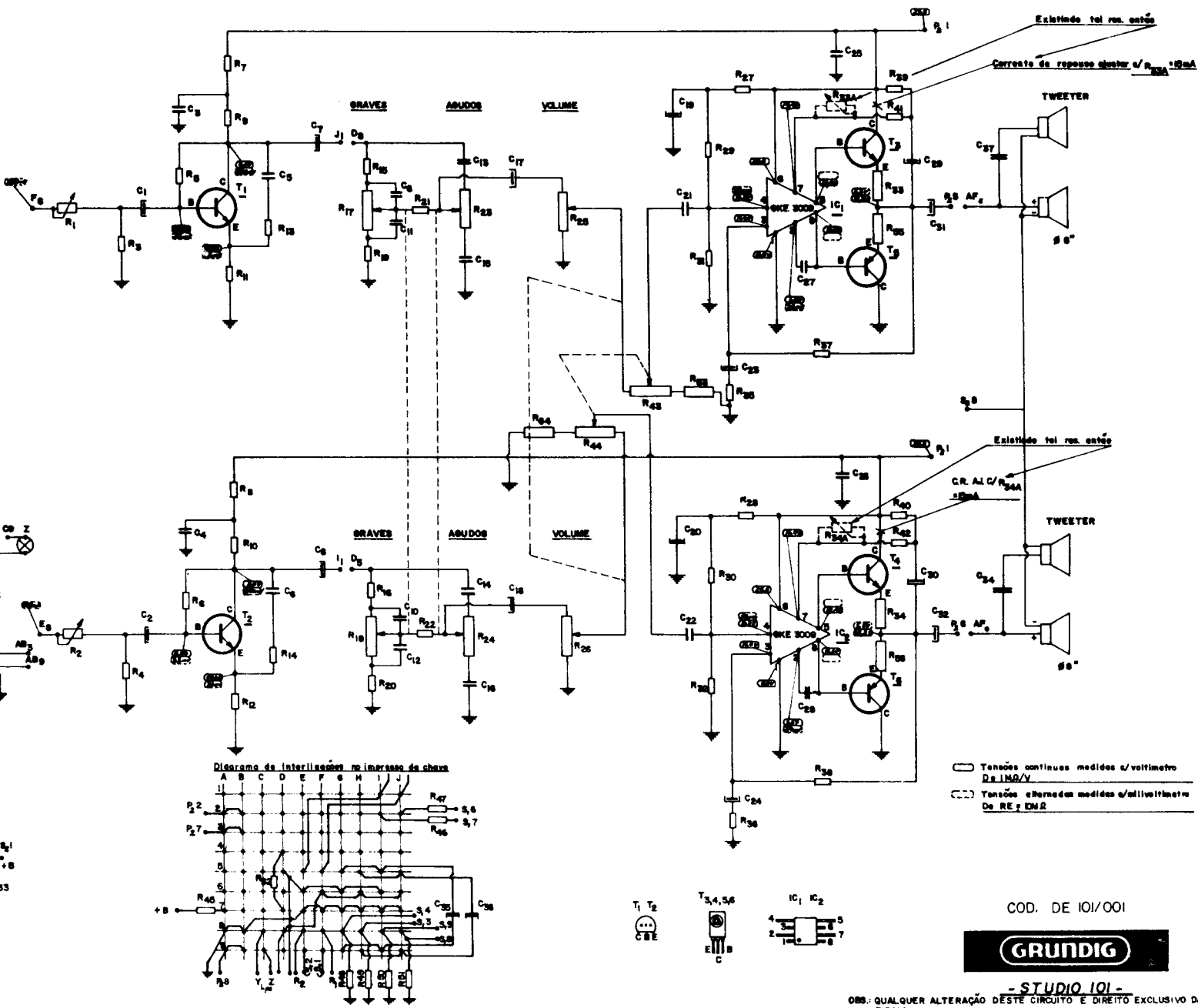
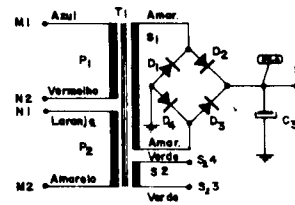
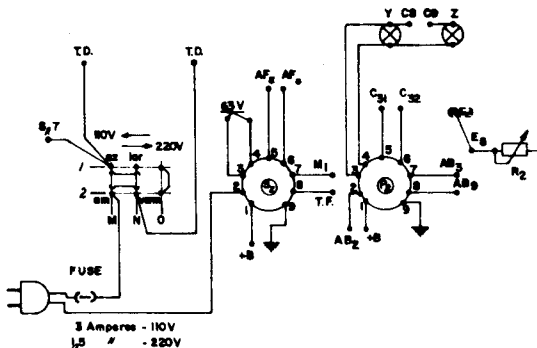
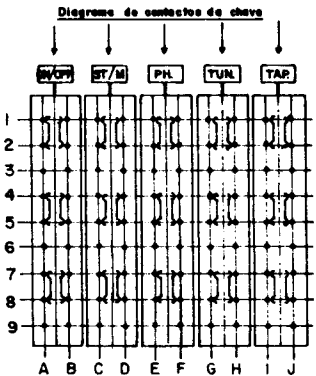
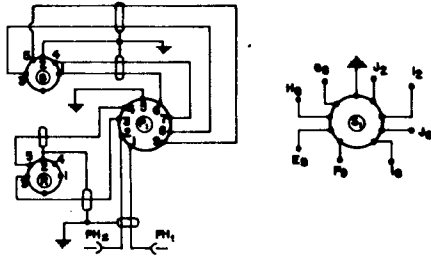
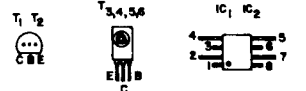
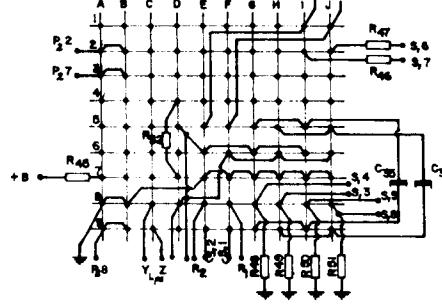


Diagrama de interligação no imersão da chave



- Tensões contínuas medidas a/voltímetro De 150V
- - - Tensões alternadas medidas a/milivoltímetro De RE e DM2

COD. DE IOI/001



- STUDIO IOI -

Obs: QUALQUER ALTERAÇÃO DESTA CIRCUITO É DIREITO EXCLUSIVO DA FIRMA.